

FS 220

Grid 2,54
Spring travel 6,4 mm

Technical Data

Minimum grid distance:	2,54 mm
Maximum spring travel:	6,35 mm
Recommended lifting height:	80%
Spring force at 4/5 spring travel:	0,6 / 1,0 / 1,5 / 2,0 / 2,25 / 3,0 / 4,0 N
E-value (collar height) defines the installation height	0,0 mm
Rated current:	5-8 A
Contact resistance:	<20 mΩ
Pin housing:	Nickel-Silver, gold-plated
Barrel:	Nickel-Silver or Bronze gold-plated
Spring:	Steel, gold-plated or Stainless Steel
Piston:	BeCu or Steel gold-plated

Receptacles

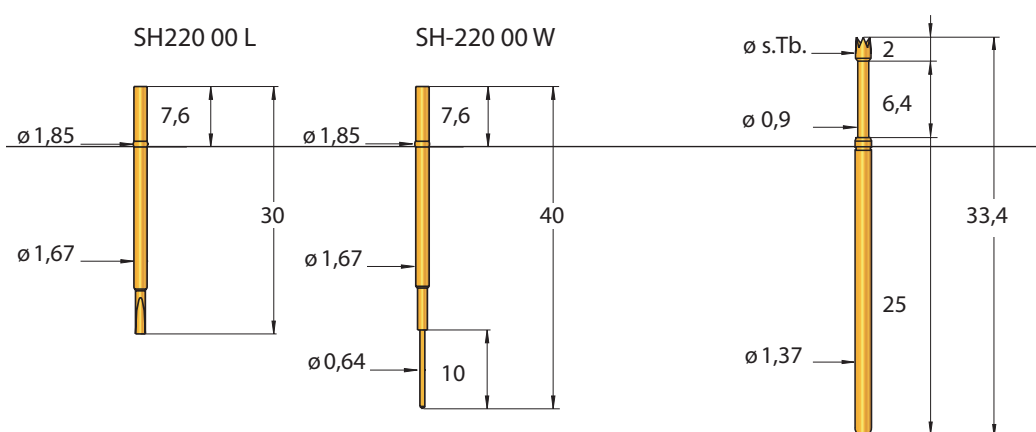


Figure	Type	ϕ (mm)	Electro- plating
	IK	1,50	A
	KR	0,50	A
		0,80	A
		1,06	A
		1,30	A
		1,50	A
	RD	0,50	A
		0,64	A
		0,90	A
		1,30	A
	RI	1,30	A
		1,50	A
		2,00	A
		2,50	A
		3,00	A
	DK	0,90	A
		1,50	A
		1,70	A
		2,50	A
	FS	0,60	A
	LA	0,90	A
		1,30	A
	SK	1,70	A

Alternative Head shapes are available.

Sample Order:

Series	Head Shape	ϕ Head	Electroplating	Lifting Height	Spring Pin	Collar Height
FS 254	FL	20	A	50	15	10

